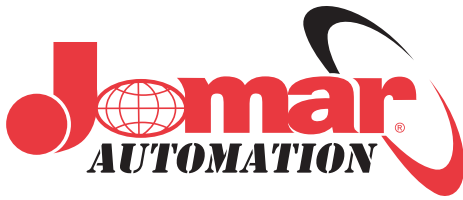
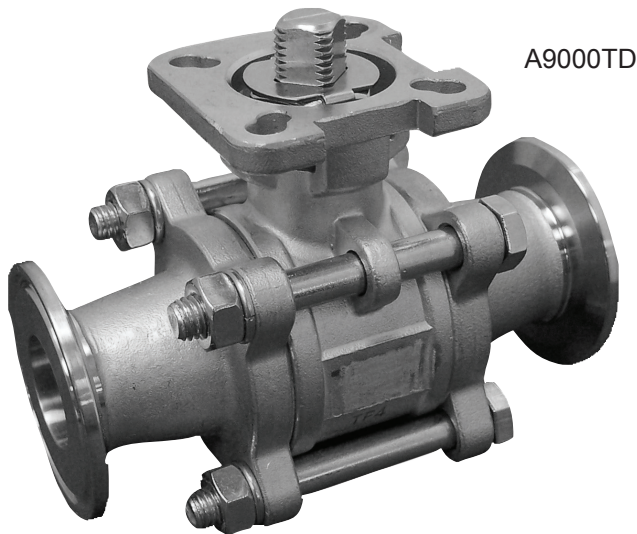


A9000TD



3-Piece, 316SS, Sanitary, Clamp End, Cavity Filled, Direct Mount Ball Valve



Description

Jomar 9000TD Sanitary Series, 3-piece, 316SS, clamp end, sanitary ball valve, with PTFE cavity filled seats, direct mount with ISO-5211 mounting pad.

Features

- 1/2" - 2": 1000WOG; 2-1/2" - 4": 800WOG
- 3-Piece design for ease of maintenance
- 316SS body, ball and stem
- 20RA I.D. finish
- FDA approved PTFE cavity filler seats
- FDA approved RPTFE stem seal
- FDA approved Viton® Stem O-ring
- FDA approved V-Ring stem packing
- 304 SS bolts, nuts and washers
- ISO 5211 mounting pad
- Square stem design for direct mounting
- CE stamped

Warranty

The Company, for a period of one year from the date of shipment, warrants each product or system of its own manufacture to the original purchaser to be free from defects in material and workmanship under normal use, service and maintenance.

Architect/Engineer approval

Job Name _____ Date _____
Model Specified _____ Quantity _____
Variations Specified _____
Customer/Wholesaler _____
Contractor _____
Architect _____

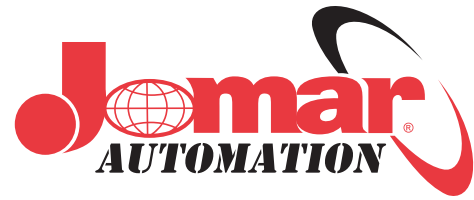
Note: Information subject to change without notice.



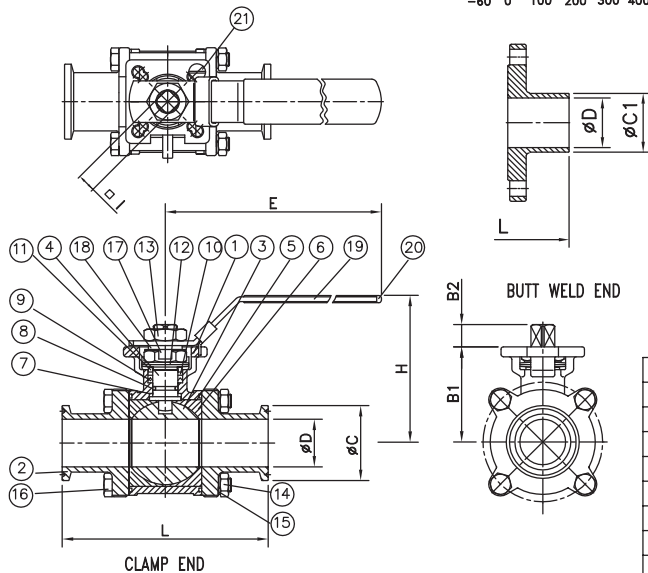
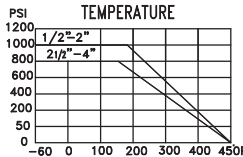
Jomar International Ltd.
7243 Miller Drive
Warren, MI 48092
Phone: 800-325-5690
Fax: 800-628-4194
www.jomar.com

A9000TD

3-Piece, 316SS, Sanitary, Clamp End, Cavity Filled, Direct Mount Ball Valve



3PC SANITARY BALL VALVE
 ISO 5211 DIRECT MOUNT PAD
 STANDARD BORE
 1/2"-2" 1000WOG
 2 1/2"-4" 800WOG



MATERIALS LIST

NO.	PART NAME	Q'TY	MATERIAL
1	BODY	1	CF8M
2	END CAP	2	CF8M
3	BALL	1	SUS316
4	STEM	1	SUS316
5	JOINT GASKET	2	PTFE(DuPont 850A)
6	SEAT/CAVITY FILLER	2	PTFE(DuPont 850A)
7	STEM SEAL	1	R.PTFE(DuPont 850A)
8	O-RING	1	VITON(DuPont A410C)
9	V-RING PACKING	1 SET	PTFE(DuPont 850A)
10	BUSHING	1	50% S.S. Powder filled PTFE
11	GLAND	1	SUS304
12	BELLEVILLE WASHER	2	SUS301
13	STEM NUT	2	SUS304
14	BOLT	*	SUS304
15	WASHER	*	SUS304
16	BOLT NUT	*	SUS304
17	LOCK SADDLE	1	SUS304
18	WASHER	1	SUS304
19	HANDLE	1	SUS304
20	HANDLE SLEEVE	1	VINYL
21	STOP PIN	1	SUS304

SIZE OF CLAMP & BUTT WELD END

SIZE	B1	B2	øC	øC1	øD	E	H	I	L	ISO5211
1/2"	1.58	0.35	0.98	0.50	0.37	5.04	2.78	0.35	3.50	F03 F04
3/4"	1.71	0.35	0.98	0.75	0.63	5.04	2.91	0.35	3.98	F03 F04
1"	2.05	0.43	1.98	1.00	0.87	6.53	3.36	0.43	4.49	F04 F05
1 1/2"	2.59	0.61	1.98	1.50	1.38	8.46	3.92	0.55	5.51	F05 F07
2"	2.91	0.61	2.54	2.00	1.87	8.46	4.24	0.55	6.14	F05 F07
2 1/2"	3.66	0.65	3.06	2.50	2.37	12.68	5.74	0.67	7.76	F07 F10
3"	4.02	0.65	3.58	3.00	2.87	12.68	6.09	0.67	9.02	F07 F10
4"	5.20	0.85	4.68	4.00	3.83	12.44	7.40	0.87	9.49	F10



7243 Miller Drive
 Warren, MI 48092
 800-325-5690

DRAWN BY PETER	DESIGNED BY PETER	SCALE
CHECKED BY LUCK	APPROVAL BY LUCK	DATE 91-02-05

A9000TD

DRAWING

Note: Information subject to change without notice.



Jomar International Ltd.
 7243 Miller Drive
 Warren, MI 48092
 Phone: 800-325-5690
 Fax: 800-628-4194
 www.jomar.com