



## Double Union End Stainless Steel Ball Valve



T-SS-2002N-DUE

S-SS-2002N-DUE

### Description

1/4 turn, latch-lock, lever handle operated, CF8M stainless steel body with 316 stainless steel ball and stem, 100% full port, blow-out proof stem, and 5-piece double-union end body design.

### Features

- Solid ball construction
- Hostaflo<sup>®</sup>-TFM 1600 seats
- 5 piece body design
- 100% full port design @ 3000 WOG/150 WSP
- Mounting pad
- Reversible handle
- Adjustable stem packing with blow out proof stem
- Union and spacer seals made of Hostaflo<sup>®</sup>-TFM 1600.
- Lever handle with vinyl grip
- NPT on socket weld union ends

### Approvals

- UL listed MHKZ, YQNZ, YRBX, TRPV (UL 842), YSDT (UL 125)
- API-598
- ANSI B1.20.1 (NPT),
- ANSI B16.11
- MSS SP-110

### Accessories

- Oval handles available
- Pneumatic & electric actuation

### Warranty

The Company, for a period of one year from the date of shipment, warrants each product or system of its own manufacture to the original purchaser to be free from defects in material and workmanship under normal use, service and maintenance.

#### Architect/Engineer approval

Job Name \_\_\_\_\_ Date \_\_\_\_\_  
Model Specified \_\_\_\_\_ Quantity \_\_\_\_\_  
Variations Specified \_\_\_\_\_  
Customer/Wholesaler \_\_\_\_\_  
Contractor \_\_\_\_\_  
Architect \_\_\_\_\_

Note: Information subject to change without notice.



Jomar International Ltd.  
7243 Miller Drive  
Warren, MI 48092  
Phone: 800-325-5690  
Fax: 800-628-4194  
www.jomar.com

© Copyright 2006 Printed in U.S.A.  
T-SS 2002N-DUE  
0406

## Double Union End Stainless Steel Ball Valve



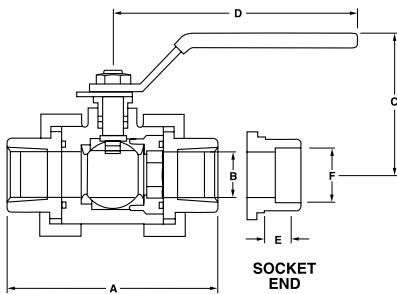
### Description

1/4 turn, latch-lock, lever handle operated, CF8M stainless steel body with 316 stainless steel ball and stem, 100% full port, blow-out proof stem, and 5-piece double-union end body design.

### Dimensions in Inches

Computer Number	Valve Size	A	B	C	D	E	F
<b>THREADED</b>							
100-981	1/4"	3.54	0.44	2.40	4.13	-	-
100-982	3/8"	3.54	0.44	2.40	4.13	-	-
100-983	1/2"	3.54	0.62	2.40	4.13	0.44	0.87
100-984	3/4"	3.70	0.80	2.76	4.94	0.56	1.07
100-985	1"	4.25	1	2.91	6.91	0.72	1.34
100-986	1-1/4"	4.57	1.25	3.23	7.81	0.72	1.69
100-987	1-1/2"	5.20	1.50	3.50	9.78	0.72	1.93
100-988	2"	5.67	1.97	3.82	9.78	0.84	2.42
<b>SOCKET WELD</b>							
101-981	1/4"	3.54	0.44	2.40	4.13	-	-
101-982	3/8"	3.54	0.44	2.40	4.13	-	-
101-983	1/2"	3.54	0.62	2.40	4.13	0.44	0.87
101-984	3/4"	3.70	0.80	2.76	4.94	0.56	1.07
101-985	1"	4.25	1	2.91	6.91	0.72	1.34
101-986	1-1/4"	4.57	1.25	3.23	7.81	0.72	1.69
101-987	1-1/2"	5.20	1.50	3.50	9.78	0.72	1.93
101-988	2"	5.67	1.97	3.82	9.78	0.84	2.42

† The CV Factor is the gallons of water per minute passed through the valve with a 1-PSI pressure drop.



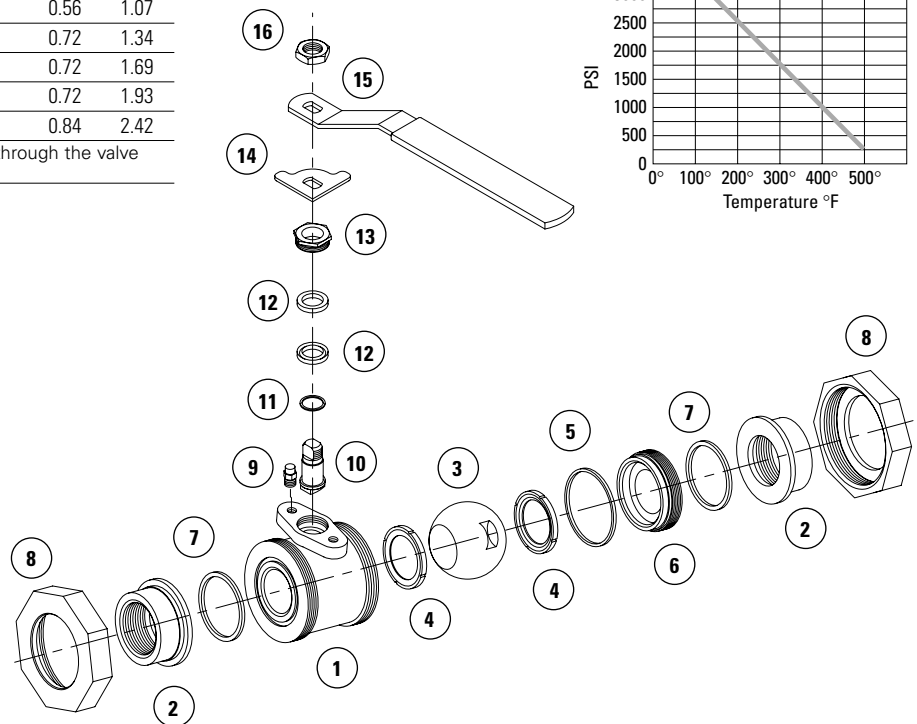
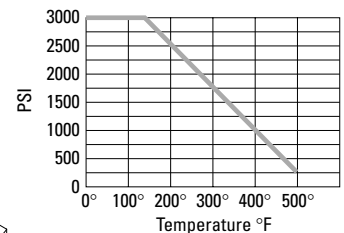
### Materials List

Item	Part Name	Material Specifications
1	Body	CF8M Stainless Steel
2	Tail Piece (2)	WCB Carbon Steel
3	Ball	316 Stainless Steel
4	Seat (2)	Hostaflo <sup>®</sup> -TFM 1600
5	Body Seal	Hostaflo <sup>®</sup> -TFM 1600
6	Ball Retainer	CF8M Stainless Steel
7	Union Seal	PTFE
8	Union Nut (2)	CF8M Stainless Steel
9	Stop Screw	304 Stainless Steel
10	Stem	316 Stainless Steel
11	Stem Seal	Hostaflo <sup>®</sup> -TFM 1600
12	Stem Packing (2)	Hostaflo <sup>®</sup> -TFM 1600
13	Follower Gland	304 Stainless Steel
14	Stop Plate	304 Stainless Steel
15	Handle	304 Stainless Steel
16	Handle Nut	304 Stainless Steel

### Pressure Rating

3000 WOG 150 WSP

#### Valve Seat Rating



Note: Information subject to change without notice.



Jomar International Ltd.  
7243 Miller Drive  
Warren, MI 48092  
Phone: 800-325-5690  
Fax: 800-628-4194  
www.jomar.com