

T-SS-1001N



316 Stainless Steel Full Port Ball Valve



LP GAS

UL Listed for liquid propane

Conforms to API 598

ANSI B16.34, MSS SP-110, SP-61, SP-82



T-SS-1001N

Description

1/4 turn, latch-lock, lever handle operated, CF8M stainless steel body with 316 stainless steel ball and stem, 100% full port, blow-out proof stem, and 2-piece body design.

Features

- 100% full port
- Pressure rating: 1000 WOG /150 WSP
- Hostaflon®-TFM 1600 seats and stem packing
- 316 stainless steel ball & stem
- Solid ball construction
- Latch lock handle may be locked in open or closed position
- Mounting pad for panel mount
- Two piece design
- NPT connections

Approvals

- UL listed MHKZ, YQNZ, YRBX, YRPV, (UL 842) YSDT (UL 125)
- Conforms to API 598
- ANSI B16.34
- MSS SP-110, SP-61, SP-82
- NACE Compliant

Accessories

- Can be fitted with electric or pneumatic actuator

Warranty

The Company, for a period of one year from the date of shipment, warrants each product or system of its own manufacture to the original purchaser to be free from defects in material and workmanship under normal use,

Architect/Engineer approval

Job Name _____ Date _____
Model Specified _____ Quantity _____
Variations Specified _____
Customer/Wholesaler _____
Contractor _____
Architect _____

Note: Information subject to change without notice.



Jomar International Ltd.
7243 Miller Drive
Warren, MI 48092
Phone: 800-325-5690
Fax: 800-628-4194
www.jomar.com

© Copyright 2006 Printed in U.S.A.
T-SS-1001N
0406

T-SS-1001N

316 Stainless Steel Full Port Ball Valve

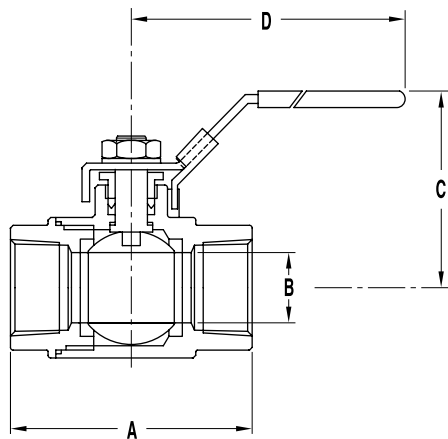


Description

1/4 turn, latch-lock, lever handle operated, CF8M stainless steel body with 316 stainless steel ball and stem, 100% full port, blow-out proof stem, and 2-piece body design.

Dimension In Inches

Computer No.	Size	A	B	C	D
100-961	1/4"	2.21	0.43	2.20	4.21
100-962	3/8"	2.21	0.43	2.20	4.21
100-963	1/2"	2.60	0.56	2.30	4.21
100-964	3/4"	2.99	0.81	2.79	5.73
100-965	1"	3.54	1.00	2.96	5.73
100-966	1-1/4"	3.94	1.25	3.56	7.45
100-967	1-1/2"	4.41	1.50	3.84	7.45
100-968	2"	5.00	1.97	4.24	8.08

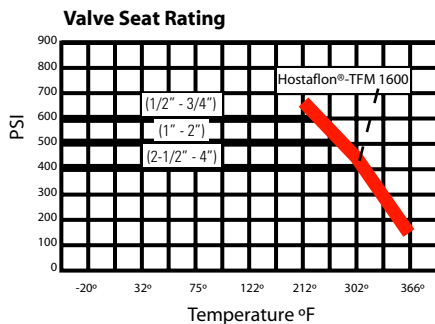
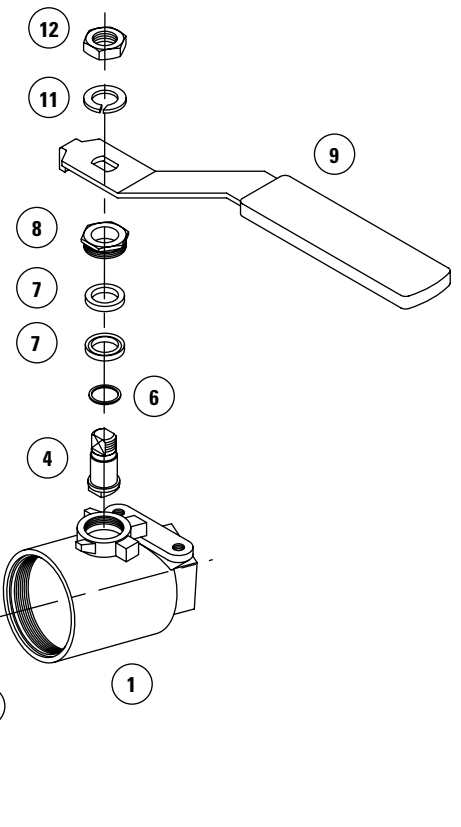


Material Specification

Item	Part Name	Material Specifications
1	Body	CF8M Stainless Steel
2	End Adapter	CF8M Stainless Steel
3	Ball	316 Stainless Steel
4	Stem	316 Stainless Steel
5	Seat (2)	Hostaflon®-TFM 1600
6	Thrust Washer	PTFE
7	Stem Packing (2)	Hostaflon®-TFM 1600
8	Follower Gland	316 Stainless Steel
9	Lever Handle	304 Stainless Steel
10	Joint Gasket	Hostaflon®-TFM 1600
11	Lock Washer	304 Stainless Steel
12	Handle Nut	304 Stainless Steel

Pressure Rating

1000 WOG
150 WSP



Note: Information subject to change without notice.



Jomar International Ltd.
7243 Miller Drive
Warren, MI 48092
Phone: 800-325-5690
Fax: 800-628-4194
www.jomar.com

© Copyright 2006 Printed in U.S.A.
T-SS-1001N
0406